

International

KSI NEWS



ECOTROC® ATKN



APF / ADVANCED
PREMIUM
FILTRATION



Mobile Breathing
Air System
MAK 63

Dear business partners,

the first half year of 2020 is coming to a close and what an unusual time it has been. The Covid-19 pandemic is affecting many people around the world in both their private- and professional lives.

KSI also faced the challenge of balancing an optimised work environment while safeguarding the health of each individual employee. We decided to implement two-working shifts, each with smaller teams, to reduce the risk of infections.

We would like to thank you, our valued partners, for your understanding and flexibility during these times. Your commitment to KSI and our products is truly amazing and we are confident that we can build on an even better future together.

We are very pleased to inform you that so far we have had no Covid-19 cases amongst our employees and their loved ones. The sense of responsibility of each individual team member has been outstanding and deserves a big “thank you“.

We understand that this gives no guarantees towards the future and therefore we will continue to stay alert and responsible in these times. For now we hope that all of you and your loved ones will stay healthy, or as we like to say in Germany – Bleibt gesund!

Yours truly,

**The KSI International
Department**



NEW Products



All-in-one system solutions

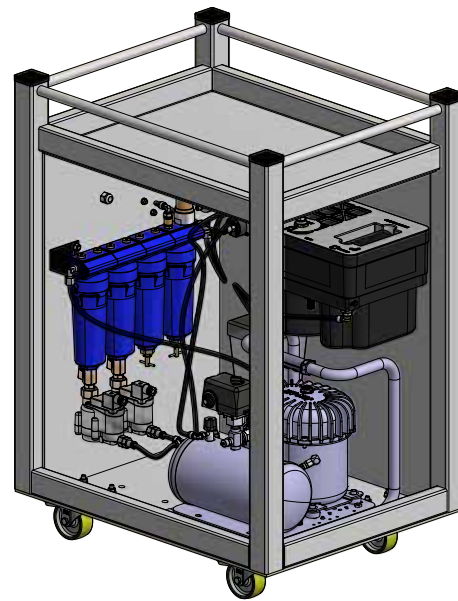
It is especially in times like these, with the Covid-19 pandemic, that we are pleased and grateful to have medical products in our portfolio. Various hospitals have been equipped with our medical solutions since the outbreak of the virus and we take pride in being able to offer a helping hand.

Our product knowledge and experience have allowed us to develop several new product solutions that are mainly focused on medical air treatment as an all-in-one package.

MAK-E2

Our **MAK-E2** is a mobile breathing air system that offers the required purity exactly at the place where needed. The unit has been designed for those situations where people are dependent on self-sufficient ventilation systems.

The compact, plug-and-play, design allows for use in small and narrow spaces.



CONTAINER-D

The **CONTAINER-D** is a fully functional mobile compressed air centre that meets all the specifications of the DIN EN ISO 7396-1 for the purity of compressed air.

In addition to medical breathing air, the **CONTAINER-D** also supplies ready-to-use compressed air for general use.



CONTAINER-O2

The **CONTAINER-O2** produces high-purity medical oxygen for critical situations, such as the ventilation of hospital personell and patients.

To ensure safe oxygen supply, KSI offers certified oxygen generators and the relevant compressed air treatment products of the highest quality.



ATM has been redesigned

Our **ECOTROC® ATM** range of heatless regenerated adsorption dryers for medical breathing air has been redesigned, offering you further advantages.

The hopcalite and activated carbon post filters have been replaced by a third vessel combining both media.

This reduced the amount of filters in our **ECOTROC® ATM** range from five to three and in return, a large third vessel has been added that also incorporates the unique pipe bridge that characterize our heatless regenerated adsorption dryers.

[DOWNLOAD BROCHURE HERE!](#)

Online meetings are a great success

Since travelling is a no-go for several weeks already, KSI has further invested in online platforms to make online meetings possible with the highest video- and audio quality.

It pleases us to see how many of our customers are interested in online trainings and discussing opportunities.

Should you wish to talk to us by Skype, Zoom, Teams or any other platform; let us know!



New price list available

To further support our business partners we have updated our gross price list with all the latest products, such as:

- APF range of compressed air filters
- MAK63 mobile breathing air solution
- ATKN-HP adsorption dryers up to 500 bar
- ATM|ATT medical adsorption dryers with third vessel
- ATW-S heat regenerated -zero purge- adsorption dryer

If you did not yet receive your new price list, please let us know at export@ksi.eu