

### Technical data sheet

Nominal capacity (based on suction conditions 1 bar (a), 20°C)	Unit	Design data
Volume flow inlet	m <sup>3</sup> /h	180
Volume flow outlet	m <sup>3</sup> /h	180
Compressed air inlet temperature	°C	35
Working pressure	bar g	7
Residual oil content	mg/m <sup>3</sup>	< 0,003

General data	Unit	Design data
Maximum operating pressure	bar g	16
Minimum operating pressure	bar g	0
Maximum inlet temperature	°C	50°C (25° eff.)
Ambient temperature minimum	°C	2

Norms and key figures	Unit	Design data
Pressure vessel standard		2014/68/EU
Category		II
Module	Type	A2
Fluid group		2
Testing pressure	bar g	24

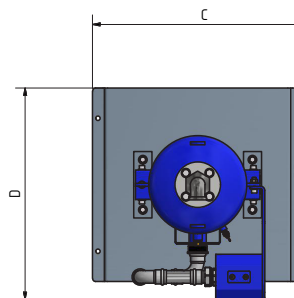
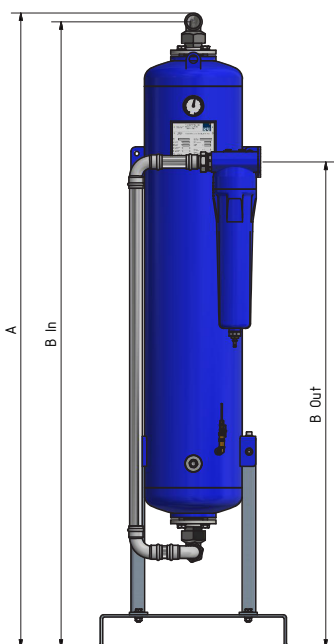
Scope of supply	Unit	Design data
Ready-to-operate adsorption dryer	Type	ATCN 18
Afterfilter	Type	APF103DMF
Filling	Type	Activated carbon dedusted
Total weight of filling	Kg	14
Oil indicator A4000		yes

Options	Unit	Design data
Preliminary filter	Type	APF103SMA

### Technical data sheet

Dimensions and weights	Unit	Design data
A	mm	1366
B (in)	mm	1311
B (out)	mm	911
C	mm	650
D	mm	575
Nominal size inside the adsorber	Inch	1"
Connection input	Inch	1"
Output connection	Inch	1"
Total weight	Kg	89
Vessel volume	Liter	30

### Dimensional drawings



#### Correction factors

##### Inlet temperature

°C	< 25	25	30	35	38	40	45	48	50
F(t)	1,2	1,1	1,09	1	0,84	0,78	0,72	0,65	0,58

#### Correction factors working pressure

bar g	4	4,5	5	5,5	6	6,5	7	7,5	8	8,5	9	9,5	10	10,5	11	11,5	12	12,5	13	13,5	14	14,5	15	15,5	16
F(p)	0,6	0,7	0,74	0,82	0,89	0,97	1	1,08	1,11	1,16	1,22	1,29	1,36	1,42	1,5	1,57	1,63	1,69	1,75	1,83	1,9	1,96	2,03	2,1	2,14

Please multiply the capacity with the correction factors in the above table