

Activated carbon adsorber ATC-APN 4

Rev 01_0224

Technical data sheet

Page 1 of 2

| Nominal capacity (based on suction conditions 1 bar (a), 20°C) | Unit | Design data |
|--|-------------------|-------------|
| Volume flow inlet | m ³ /h | 35 |
| Volume flow outlet | m ³ /h | 35 |
| Compressed air inlet temperature | °C | 35 |
| Working pressure | bar g | 7 |
| Residual oil content | mg/m ³ | < 0,003 |

| General data | Unit | Design data |
|-----------------------------|-------|-----------------|
| Maximum operating pressure | bar g | 16 |
| Minimum operating pressure | bar g | 0 |
| Maximum inlet temperature | °C | 50°C (25° eff.) |
| Ambient temperature minimum | °C | 2 |

| Norms and key figures | Unit | Design data |
|--------------------------|-------|-----------------------------|
| Pressure vessel standard | | abnahmefrei nach 2014/68/EU |
| Category | | I |
| Module | Type | A |
| Fluid group | | 2 |
| Testing pressure | bar g | 24 |

| Scope of supply | Unit | Design data |
|-----------------------------------|------|---------------------------|
| Ready-to-operate adsorption dryer | Type | ATC-APN 4 |
| Afterfilter | Type | APF53DMF |
| Filling | Type | Activated carbon dedusted |
| Total weight of filling | Kg | 2,5 |
| Oil indicator A-4000-120 | | no |

| Options | Unit | Design data |
|--------------------|------|-------------|
| Preliminary filter | Type | APF53SMA |

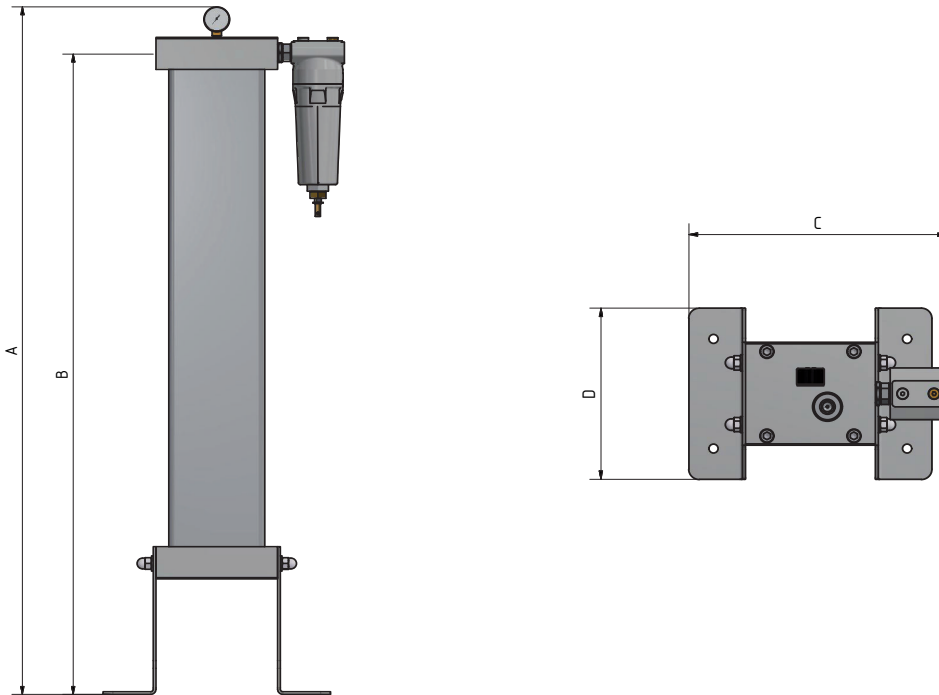
Activated carbon adsorber ATC-APN 4

Rev 01_0224

Technical data sheet

| Dimensions and weights | Unit | Design data |
|----------------------------------|-------|-------------|
| A | mm | 832 |
| B | mm | 767 |
| C | mm | 303 |
| D | mm | 210 |
| Nominal size inside the adsorber | Inch | 3/8" |
| Connection input | Inch | 1/2" |
| Output connection | Inch | 3/8" |
| Total weight | Kg | 16 |
| Vessel volume | Liter | 5 |

Dimensional drawings



| Correction factors | |
|--------------------|---|
| Inlet temperature | |
| °C | < 25 25 30 35 38 40 45 48 50 |
| F(t) | 1,2 1,1 1,09 1 0,84 0,78 0,72 0,65 0,58 |

| Correction factors working pressure | |
|-------------------------------------|--|
| bar g | 4 4,5 5 5,5 6 6,5 7 7,5 8 8,5 9 9,5 10 10,5 11 11,5 12 12,5 13 13,5 14 14,5 15 15,5 16 |
| F(p) | 0,6 0,7 0,74 0,82 0,89 0,97 1 1,08 1,11 1,16 1,22 1,29 1,36 1,42 1,5 1,57 1,63 1,69 1,75 1,83 1,9 1,96 2,03 2,1 2,14 |

Please multiply the capacity with the correction factors in the above table