

## Activated carbon adsorber ATC-APN 7

Rev 01\_1223

### Technical data sheet

Page 1 of 2

| Nominal capacity (based on suction conditions 1 bar (a), 20°C) | Unit              | Design data |
|--|-------------------|-------------|
| Volume flow inlet  | m <sup>3</sup> /h | 60          |
| Volume flow outlet   | m <sup>3</sup> /h | 60          |
| Compressed air inlet temperature                               | °C                | 35          |
| Working pressure   | bar g             | 7           |
| Residual oil content   | mg/m <sup>3</sup> | < 0,003     |

| General data                | Unit  | Design data     |
|-----------------------------|-------|-----------------|
| Maximum operating pressure  | bar g | 16              |
| Minimum operating pressure  | bar g | 0               |
| Maximum inlet temperature   | °C    | 50°C (25° eff.) |
| Ambient temperature minimum | °C    | 2               |

| Norms and key figures    | Unit  | Design data                 |
|--------------------------|-------|-----------------------------|
| Pressure vessel standard |       | abnahmefrei nach 2014/68/EU |
| Category                 |       | I                           |
| Module                   | Type  | A                           |
| Fluid group              |       | 2                           |
| Testing pressure         | bar g | 24                          |

| Scope of supply                   | Unit | Design data               |
|-----------------------------------|------|---------------------------|
| Ready-to-operate adsorption dryer | Type | ATC-APN 7                 |
| Afterfilter                       | Type | APF73DMF                  |
| Filling                           | Type | Activated carbon dedusted |
| Total weight of filling           | Kg   | 3,4                       |
| Oil indicator A-4000-120          |      | no                        |

| Options            | Unit | Design data |
|--------------------|------|-------------|
| Preliminary filter | Type | APF73SMA    |

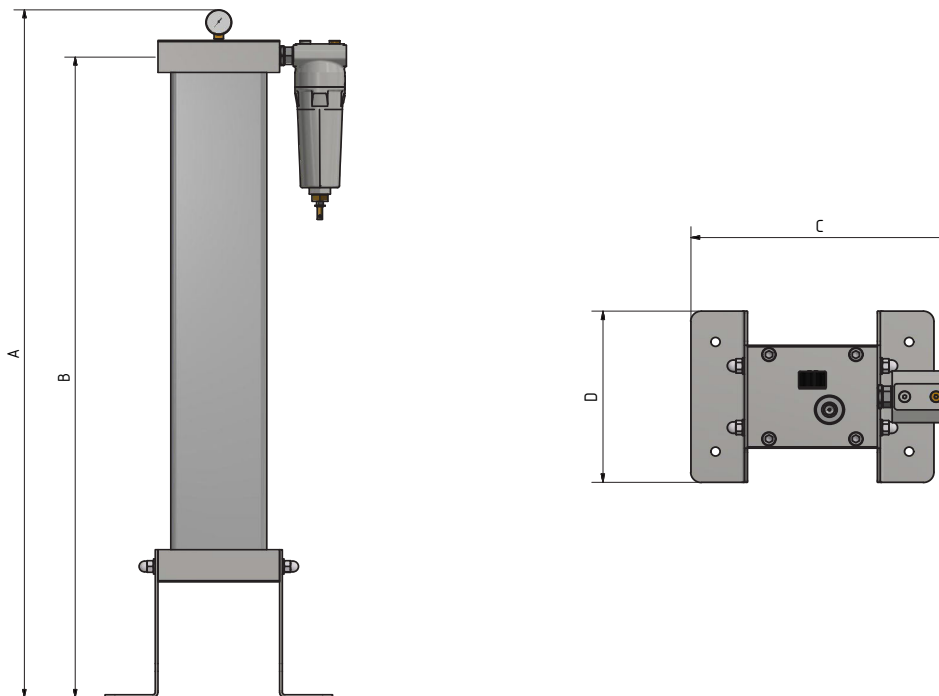
## Activated carbon adsorber ATC-APN 7

Rev 01\_1223

### Technical data sheet

| Dimensions and weights           | Unit  | Design data |
|----------------------------------|-------|-------------|
| A                                | mm    | 1033        |
| B                                | mm    | 967         |
| C                                | mm    | 303         |
| D                                | mm    | 210         |
| Nominal size inside the adsorber | Inch  | 1/2"        |
| Connection input                 | Inch  | 1/2"        |
| Output connection                | Inch  | 1/2"        |
| Total weight                     | Kg    | 22          |
| Vessel volume                    | Liter | 6,8         |

### Dimensional drawings



| Correction factors |   |
|--------------------|---|
| Inlet temperature  |   |
| °C                 | < 25 25 30 35 38 40 45 48 50            |
| F(t)               | 1,2 1,1 1,09 1 0,84 0,78 0,72 0,65 0,58 |

| Correction factors working pressure |     |     |      |      |      |      |   |      |      |      |      |      |      |      |     |      |      |      |      |      |     |      |      |      |      |
|-------------------------------------|-----|-----|------|------|------|------|---|------|------|------|------|------|------|------|-----|------|------|------|------|------|-----|------|------|------|------|
| bar g                               | 4   | 4,5 | 5    | 5,5  | 6    | 6,5  | 7 | 7,5  | 8    | 8,5  | 9    | 9,5  | 10   | 10,5 | 11  | 11,5 | 12   | 12,5 | 13   | 13,5 | 14  | 14,5 | 15   | 15,5 | 16   |
| F(p)                                | 0,6 | 0,7 | 0,74 | 0,82 | 0,89 | 0,97 | 1 | 1,08 | 1,11 | 1,16 | 1,22 | 1,29 | 1,36 | 1,42 | 1,5 | 1,57 | 1,63 | 1,69 | 1,75 | 1,83 | 1,9 | 1,96 | 2,03 | 2,1  | 2,14 |

Please multiply the capacity with the correction factors in the above table